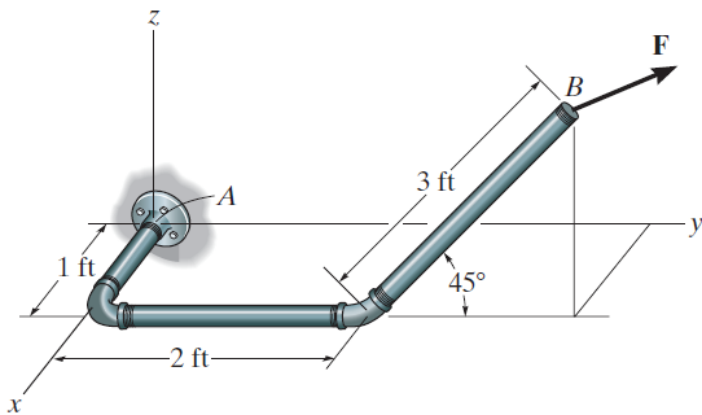


StarID or TechID (no names) _____

Show your work (you will not receive any credit if all you have is a final answer, right or wrong).

Do one of the two problems shown below (the second problem is on the back).

1. Determine the magnitude and coordinate direction angles of the moment of the force \mathbf{F} about point A. The magnitude of $F = 80$ lb and its coordinate direction angles are $\alpha = 50$ deg, $\beta = 40$ deg, and $\gamma = 70$ deg.



2. Determine the moment of the force \mathbf{F} about an axis extending between O and A . Express the result as a Cartesian vector.

