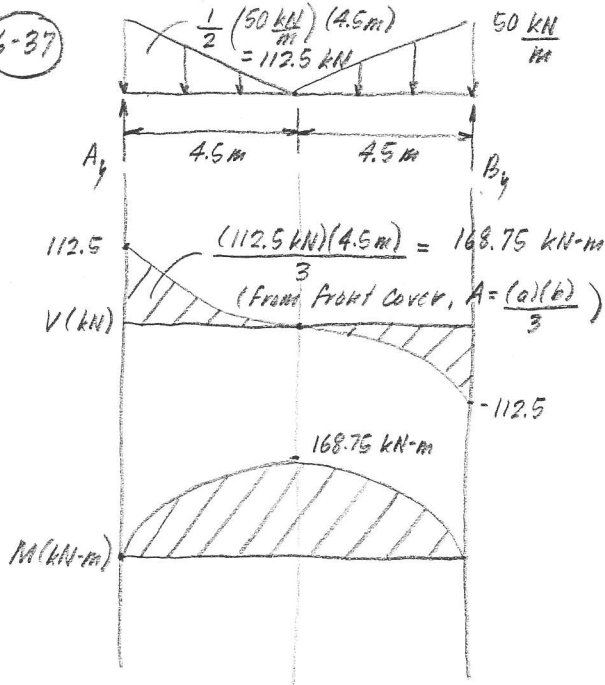
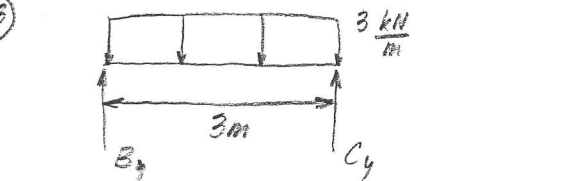


6-37



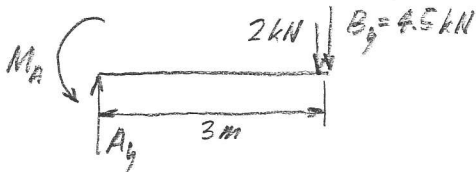
$\sum F_y = 0$ (recognize symmetry)
 $A_y = B_y = \frac{1}{2} (50 \frac{kN}{m})(4.5m) = 112.5 kN$

6-43



$\sum F_y = 0$ (recognize symmetry)

$B_y = C_y = \frac{1}{2} (3 \frac{kN}{m})(3m) = 4.5 kN$



$\sum F_y = 0, A_y - 2 kN - 4.5 kN = 0$

$A_y = 6.5 kN$

$\sum M_A = 0, M_A - (2 kN + 4.5 kN)(3m) = 0$

$M_A = 19.5 kN-m$

