

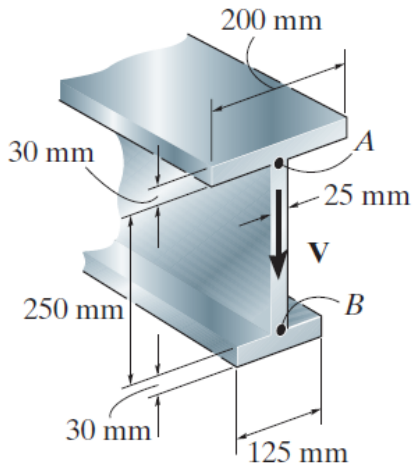
CME 260 – Mechanics of Materials
Exam #7 (04/06/2022)

Tech ID or Star ID: _____

Do one of the two problems shown below (the second problem is on the back).

Show your work (you will not receive any credit if all you have is a final answer, right or wrong).

(1) The beam is subjected to a shear of $V = 15 \text{ kN}$. Determine the shear stress in the web at point A (point A is located right where the web meets the upper flange). Point B is ignored in this problem.



(2) Determine the maximum shear stress in the beam at point C.

