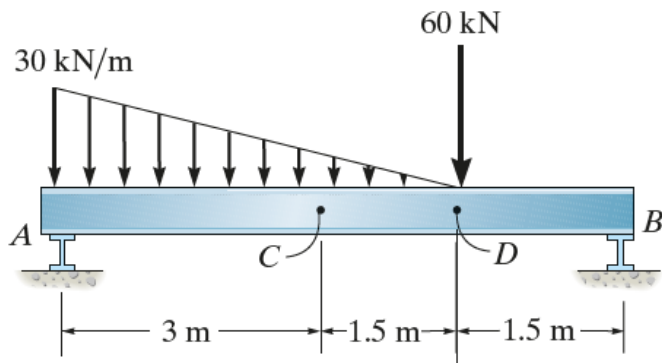


CME 260 – Mechanics of Materials
Exam #1 (01/19/2024)

Warrior ID # _____

Do one of the two problems shown below (the second problem is on the back).
Show your work (you will not receive any credit if all you have is a final answer, right or wrong).

1. Determine the resultant internal loadings acting on the cross section at point C. Assume the reactions at the supports A and B are vertical.



2. The pipe assembly is fixed to the wall at A. Determine the resultant internal loadings acting on the cross section at point C.

