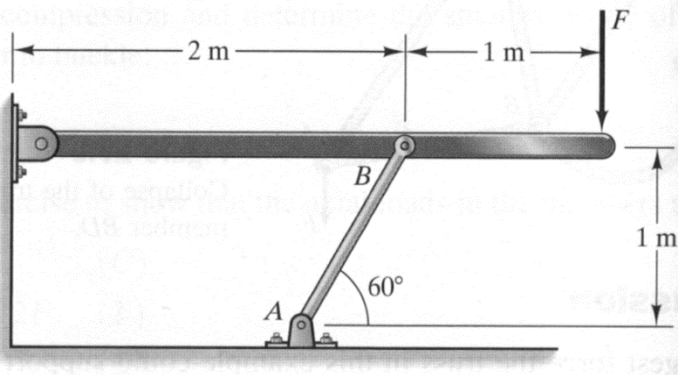


StarID or TechID (no names) _____

Do one of the two problems shown below (the second problem is on the back).

Show your work (you will not receive any credit if all you have is a final answer, right or wrong).

1. At what value of F will the bar AB buckle? Bar AB has a circular cross-section of radius 20 mm and its modulus of elasticity is $E = 14$ GPa.



2. Determine the stress components acting on plane AB.

